



## DÜNYAEK.LEDPRJ.X PROJECTORS

### serisi/serisi Projektörler

### INSTALLATION / KULLANIM

Hazardous Areas, Zone: 1 (Gases)  
Tehlikeli Sahalar, Bölge: 1 (Gazlar)

### CLASSIFICATION/ SINIFLANDIRMA

Group II - Category 2G  
Grup II - Kategori 2G



### UYGULAMA

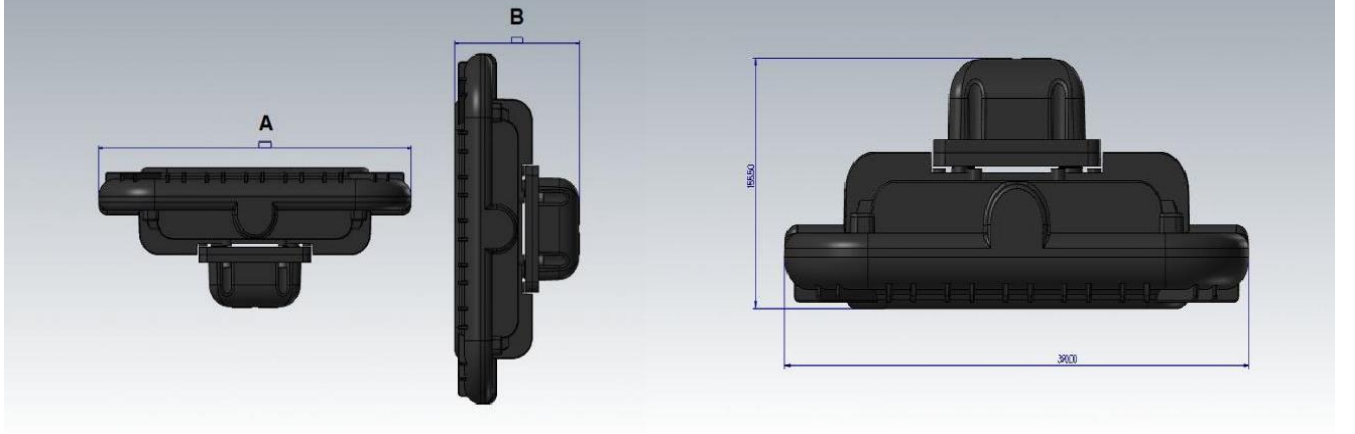
LEDPRJ.X serisi projektör aydınlatma armatürleri Grup II tehlikeli açık ya da kapalı alanlarda kullanılmaktadır.

### APPLICATION

LEDPRJ.X series projektör lighting fixtures are used in Group II hazardous areas at indoor or outdoor Services.

- Ex-proof projectors are aluminum body.
- Ex-proof projectors have 2 pcs 3/4 "inlet holes and 2 pcs 3/4" Ex-proof blind plugs in the holes.
- 3/4 "inlet gland must be extra depending on cable type and outer diameter.
- Ex-proof projectors can be used as ceiling or wall type thanks to their movable legs
- The projectors are LED modules and high lumens compared to their peers.
- Exproof projectors are ATEX certified.

	<i>DÜNYAEK.LEDPRJ.X Series Lighting Fixtures</i>
	<b>ATEX 2014/34/EU</b>
<b>Execution</b>	II 2G d IIB T4 Gb
<b>Installation</b>	Zone 1 - Zone 21
<b>Protection Degree</b>	IP 66
<b>Certificate Ref</b>	TSE 18ATEX 0089.X
<b>Rules of compl.</b>	EN 60079-0:2012+A11:2013,EN 60079-15:2011,EN 60079-31:2014



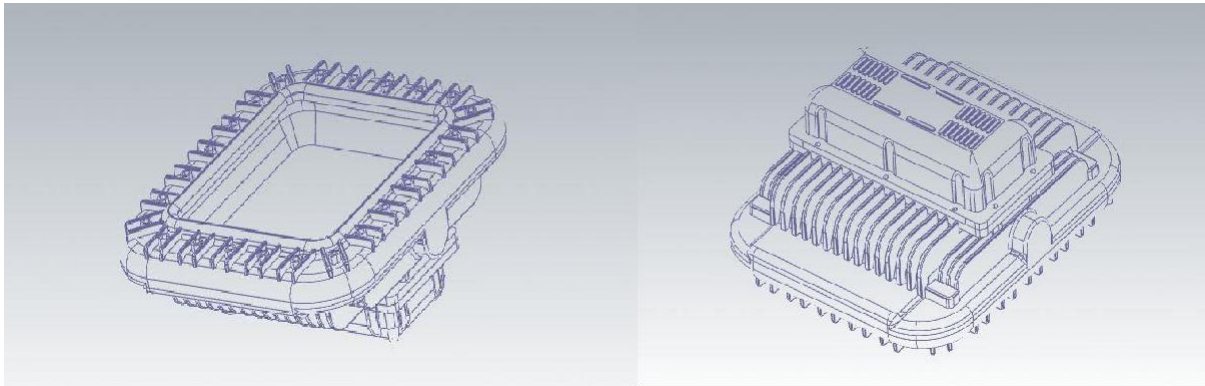
## LED PROJKTOR

## TECHNICAL DATA

CODE/Kodu	A	B	WEIGHT/Ağırlık )K.G(	DETAIL/Detay
LEDPRJ.100	350 mm	90 mm	8 kg	Figure 1
LEDPRJ.160	350 mm	90 mm	8 kg	Figure 1
LEDPRJ.200	350 mm	90 mm	8 kg	Figure 1
LEDPRJ.300	350 mm	90 mm	8 kg	Figure 1

## DRIVER LED PROJKTOR

CODE/Kodu	A	B	WEIGHT/Ağırlık )K.G(	DETAIL/Detay
LEDPRJ.100	350 mm	150 mm	12 kg	Figure 1
LEDPRJ.160	350 mm	150 mm	12 kg	Figure 1
LEDPRJ.200	350 mm	150 mm	12 kg	Figure 1
LEDPRJ.300	350 mm	150 mm	12 kg	Figure 1



## TECHNICAL DATA

CODE/Kodu	LAMP	POWER	Lümen (lm)
LEDPRJ.100	LED	100W	10000
LEDPRJ.160	LED	160W	16000
LEDPRJ.200	LED	200W	20000
LEDPRJ.300	LED	300W	24000

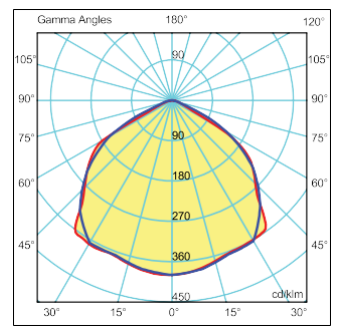
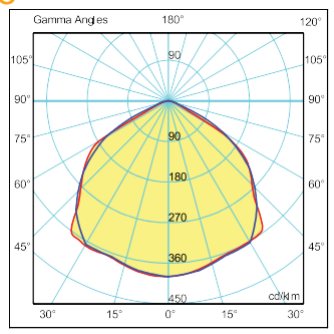
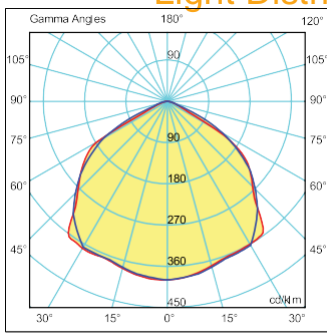
### TEMP. CLASS/DUST

CODE	LAMP	TEMP. CLASS/GAS	CABLE ENTRY
LEDPRJ.W.100	T6	T 80 °C	1/2" - 3/4"
LEDPRJ.W.160	T6	T 80 °C	1/2" - 3/4"
LEDPRJ.W.200	T6	T 80 °C	1/2" - 3/4"
LEDPRJ.W.300	T6	T 80 °C	1/2" - 3/4"

## Fields of Application



## Light Distribution Curve



220-240V  
50-60Hz

EN 60598-2-1 / EN 60598-2-5



EN 60598-2-5