

EV LIGHTING FIXTURES

series/serisi

Aydınlatma Armatürleri

INSTALLATION / KULLANIM

Hazardous Areas, Zone: 1/2 (Gases) - 21/22 (Dusts)
Tehlikeli Sahalar, Bölge: 1/2 (Gazlar) - 21/22 (Toz)

CLASSIFICATION/ SINIFLANDIRMA

Group II - Category 2G/2D
Grup II - Kategori 2G/2D



EV.P

Portable
Seyyar



UYGULAMA

EV.P serisi akkor ya da kompakt floresan ampullü (tasarruflu) aydınlatma armatürleri Grup II tehlikeli açık ya da kapalı alanlarda kullanılmaktadır.

APPLICATION

EV.P series incandescent or compact fluorescent lighting fixtures are used in Group II hazardous areas at indoor or outdoor services.

EV Series Lighting Fixtures

ATEX 94/9/EC

Execution/Sertifika Kodu	II 2 G Ex d IIB Gb II 2 D Ex t IIIC IP 67 Db
Installation/Kullanım Sahası	Zone 1/2 - Zone 21/22
Protection Degree/Koruma Sınıfı	IP 67
Certificate Ref./Sertifika No	MP 11 ATEX 0077.X
Rules of compl./ Uyum Kuralları	EN 60079-0:2012; EN 60079-1:2007; EN 60079-31:2009



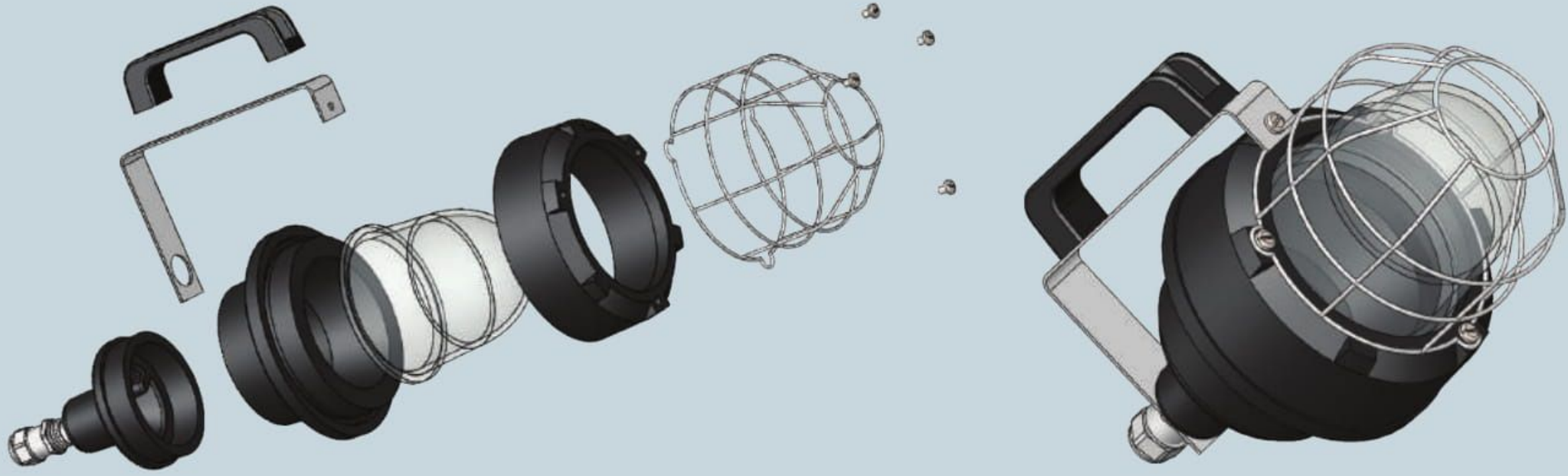
DÜNYAEKS ELEKTRİK MAKİNA
MÜH. SAN. VE TİC. LTD. ŞTİ.

Exproof Equipment



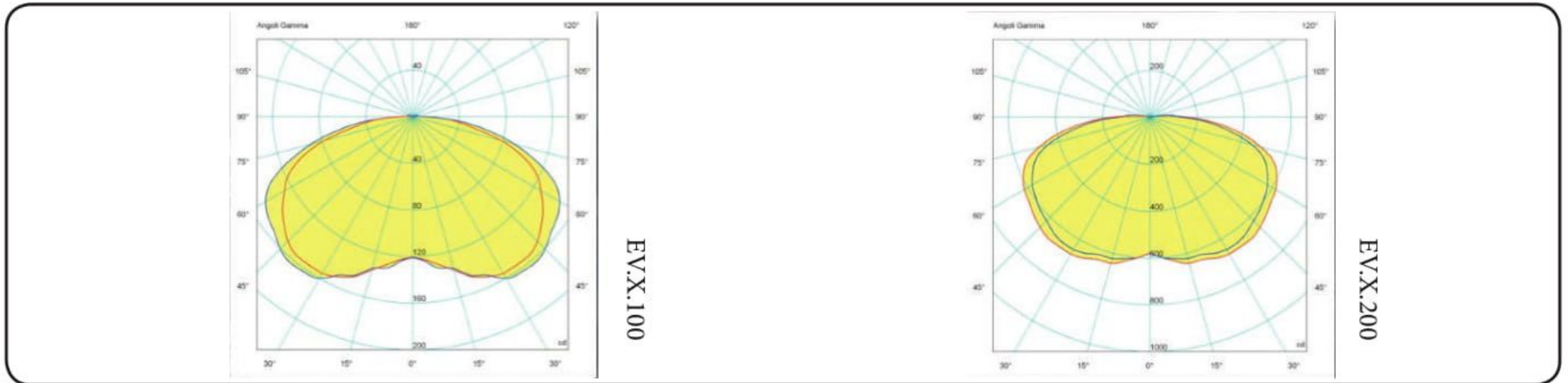
Assembly

Figure 1



Mechanical Characteristics		Electrical Characteristics	
Gaskets/Kafes	Nbr Rubber	Internal Wiring/Kablolar	High Temperature Resistant Silicon Cable
Cable Entry/Kablo Girişi	4x1/2" - 4x3/4" Threaded	Screws/Civata	External Stainless Steel

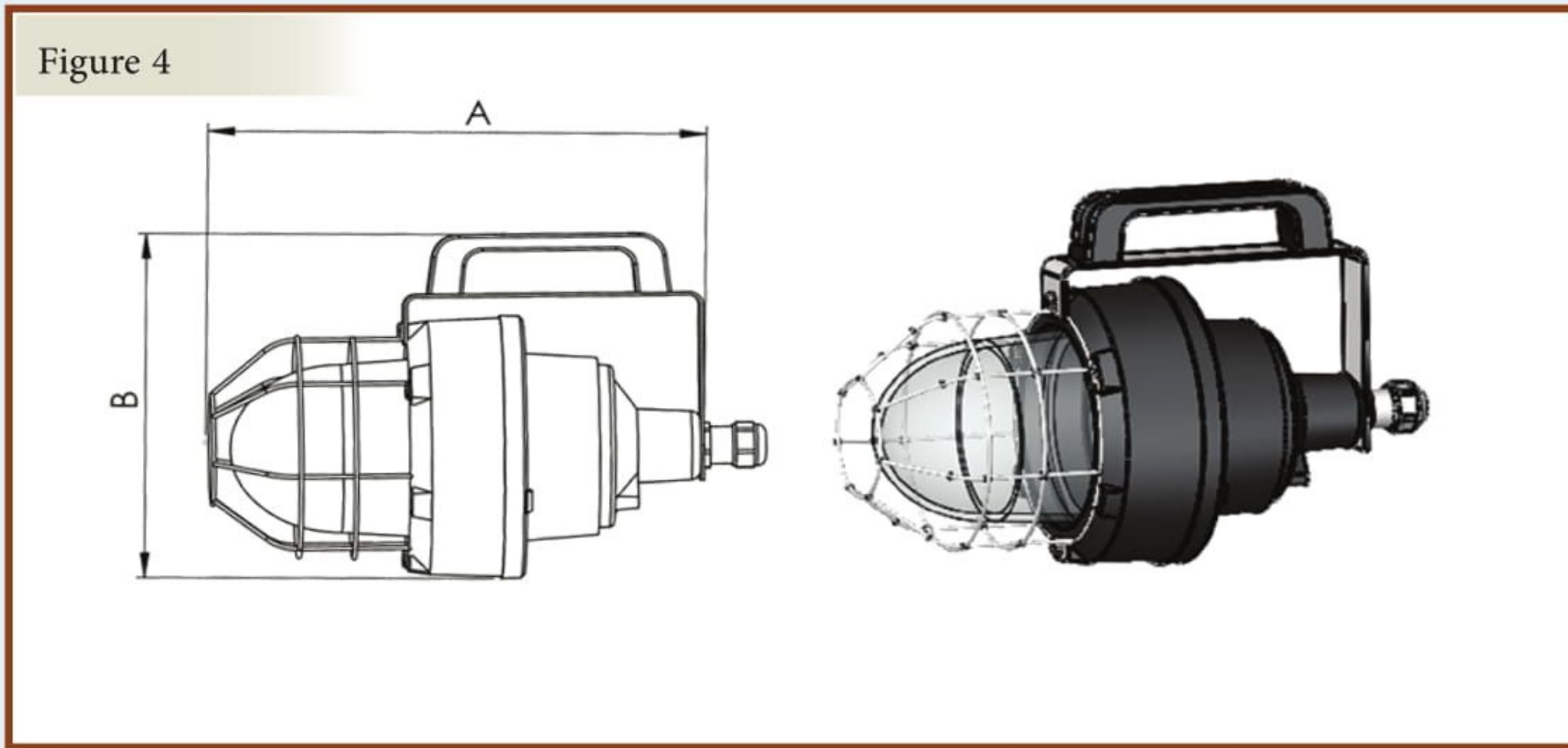
Photometric diagrams



TECHNICAL DATA

CODE	LAMP	TEMP. CLASS (GAS)	TEMP. CLASS (DUST)	LAMPPHOLDER SIZE	CABLE ENTRY SIZE
EV SERIES LIGHTING FIXTURES TECHNICAL DATA					
EV.P.100	60W, 80W, 100W	T6	T 80 °C	E 27	3/4"
EV.P.200	160W, 200W,	T6	T 80 °C	E 27	3/4"

Assembly



CODE/Kodu	A	B	WEIGHT/Ağırlık (K.G)	DETAIL/Detay
EV.P.100	230 mm	130 mm	2.78 KG	Figure 4
EV.P.200	310 mm	240 mm	4,96 KG	Figure 4