

**EV**  
series/serisi

## LIGHTING FIXTURES

Aydınlatma Armatürleri

### INSTALLATION / KULLANIM

Hazardous Areas, Zone: 1/2 (Gases) - 21/22 (Dusts)  
Tehlikeli Sahalar, Bölge: 1/2 (Gazlar) - 21/22 (Toz)

### CLASSIFICATION/ SINIFLANDIRMA

Group II - Category 2G/2D  
Grup II - Kategori 2G/2D



## EV.L

Led Lamp

Led Lambalı



### UYGULAMA

EV.L serisi led ampullü aydınlatma armatürleri Grup II tehlikeli açık ya da kapalı alanlarda kullanılmaktadır.

### APPLICATION

EV.L series led lighting fixtures are used in Group II hazardous areas at indoor or outdoor services.

## EV Series Lighting Fixtures

### ATEX 94/9/EC

|                                        |                                                    |
|----------------------------------------|----------------------------------------------------|
| <b>Execution/Sertifika Kodu</b>        | II 2 G Ex d IIB Gb<br>II 2 D Ex t IIIC IP 67 Db    |
| <b>Installation/Kullanım Sahası</b>    | Zone 1/2 - Zone 21/22                              |
| <b>Protection Degree/Koruma Sınıfı</b> | IP 67                                              |
| <b>Certificate Ref./Sertifika No</b>   | MP 11 ATEX 0077.X                                  |
| <b>Rules of compl./ Uyum Kuralları</b> | EN 60079-0:2012; EN 60079-1:2007; EN 60079-31:2009 |

| Mechanical Characteristics |                                             | Electrical Characteristics |                                          |
|----------------------------|---------------------------------------------|----------------------------|------------------------------------------|
| <b>Gaskets</b>             | Nbr Rubber                                  | <b>Power Supply</b>        | Conventional Ballast                     |
| <b>Cable Entry</b>         | 2x1/2" Threaded - 3x3/4" (Only with balast) | <b>Internal Wiring</b>     | High Temperature Resistant Silicon Cable |
| <b>Screws</b>              | External Stainless Steel                    | <b>Terminal</b>            | Suitable up to 4 mm/sq cables            |



## Assembly

Figure 1



CODE

LAMP

TEMP. CLASS  
(GAS)

TEMP. CLASS  
(DUST)

LAMPHOLDER  
SIZE

CABLE ENTRY SIZE

### EV SERIES LIGHTING FIXTURES TECHNICAL DATA

EV.L

5W, 7W, 9W, 12W, 15W

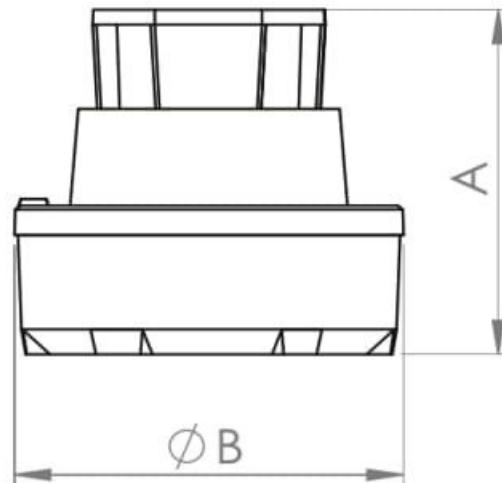
T6

T 80 °C

E 27

3/4"

Figure 4



CODE/Kodu

A

B

WEIGHT/Ağırlık  
(K.G)

DETAIL/DETAY

EV.L

172 mm

130 mm

3.50 KG

Figure 3