

**EV**  
series/serisi

# LIGHTING FIXTURES

Aydınlatma Armatürleri

## INSTALLATION / KULLANIM

Hazardous Areas, Zone: 1/2 (Gases) - 21/22 (Dusts)  
Tehlikeli Sahalar, Bölge: 1/2 (Gazlar) - 21/22 (Toz)

## CLASSIFICATION/ SINIFLANDIRMA

Group II - Category 2G/2D  
Grup II - Kategori 2G/2D



## EV.C

**Ceiling Mounted**

Tavan Tipi Montaj



### UYGULAMA

EV.C serisi akkor ya da kompakt floresan ampullü (tasarruflu) aydınlatma armatürleri Grup II tehlikeli açık ya da kapalı alanlarda kullanılmaktadır.

### APPLICATION

EV.C series incandescent or compact fluorescent lighting fixtures are used in Group II hazardous areas at indoor or outdoor services.

## EV Series Lighting Fixtures

### ATEX 94/9/EC

<b>Execution/Sertifika Kodu</b>	II 2 G Ex d IIB Gb II 2 D Ex t IIIC IP 67 Db
<b>Installation/Kullanım Sahası</b>	Zone 1/2 - Zone 21/22
<b>Protection Degree/Koruma Sınıfı</b>	IP 67
<b>Certificate Ref./Sertifika No</b>	MP 11 ATEX 0077.X
<b>Rules of compl./ Uyum Kuralları</b>	EN 60079-0:2012; EN 60079-1:2007; EN 60079-31:2009



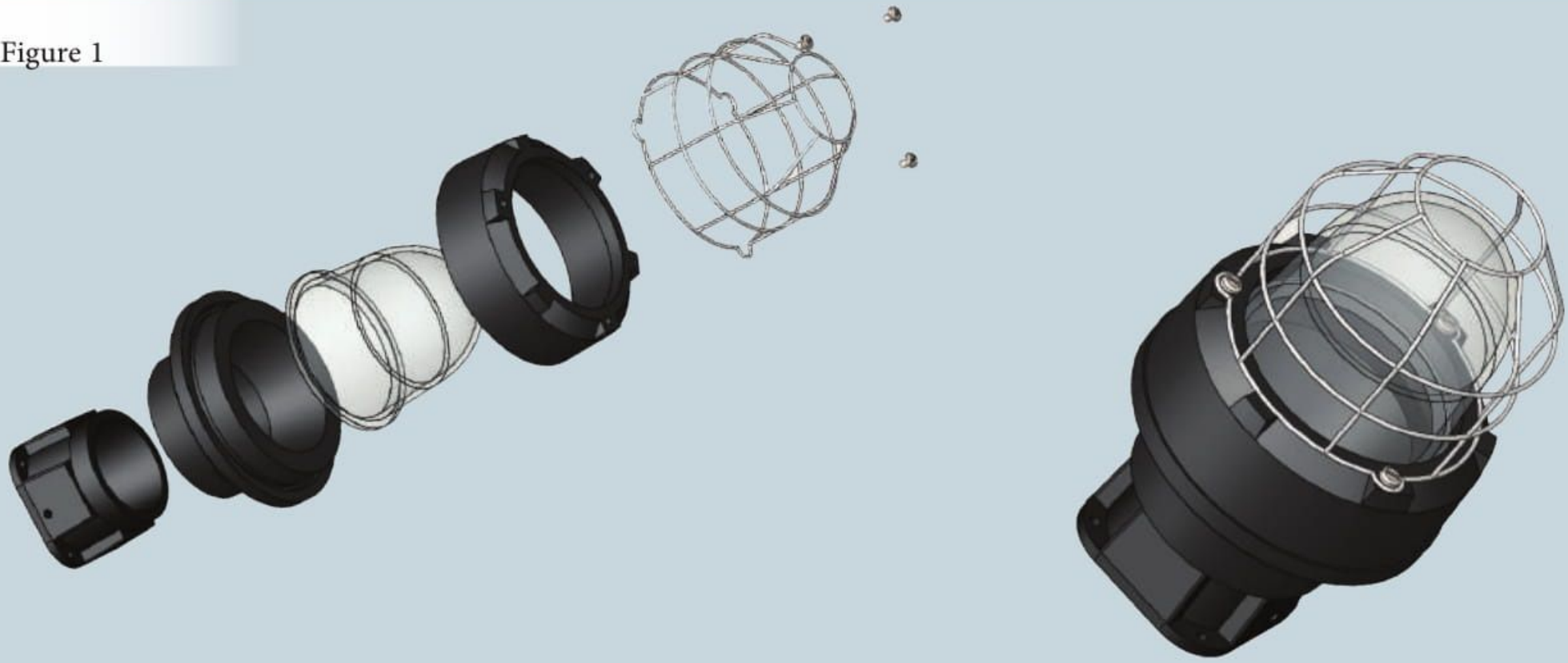
DÜNYAEKS ELEKTRİK MAKİNA  
MÜH. SAN. VE TİC. LTD. ŞTİ.

Exproof Equipment



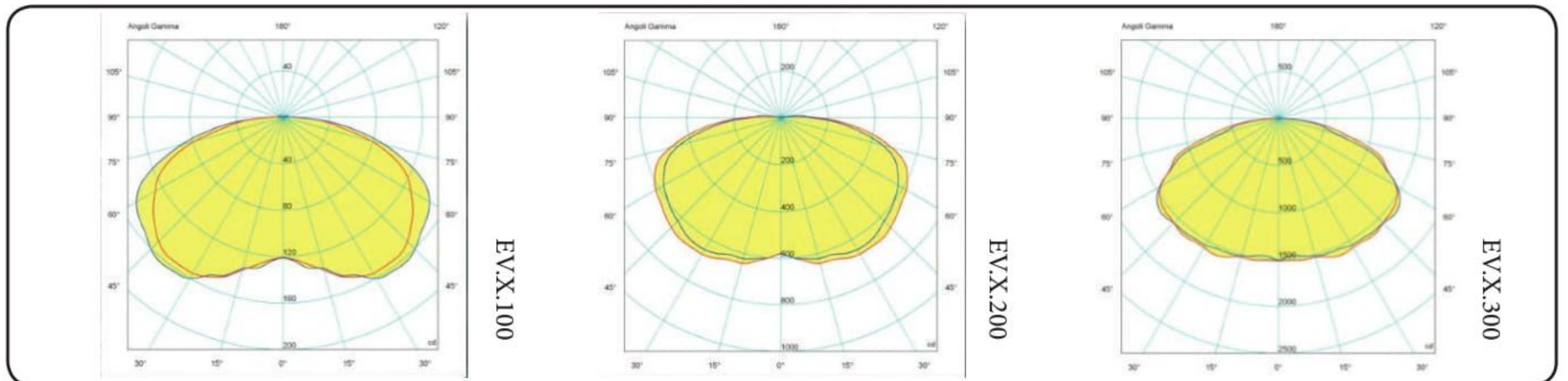
## Assembly

Figure 1



Mechanical Characteristics		Electrical Characteristics	
<b>Gaskets/Kafes</b>	Nbr Rubber	<b>Internal Wiring/Kablolar</b>	High Temperature Resistant Silicon Cable
<b>Cable Entry/Kablo Girişi</b>	4x1/2" - 4x3/4" Threaded	<b>Screws/Civata</b>	External Stainless Steel

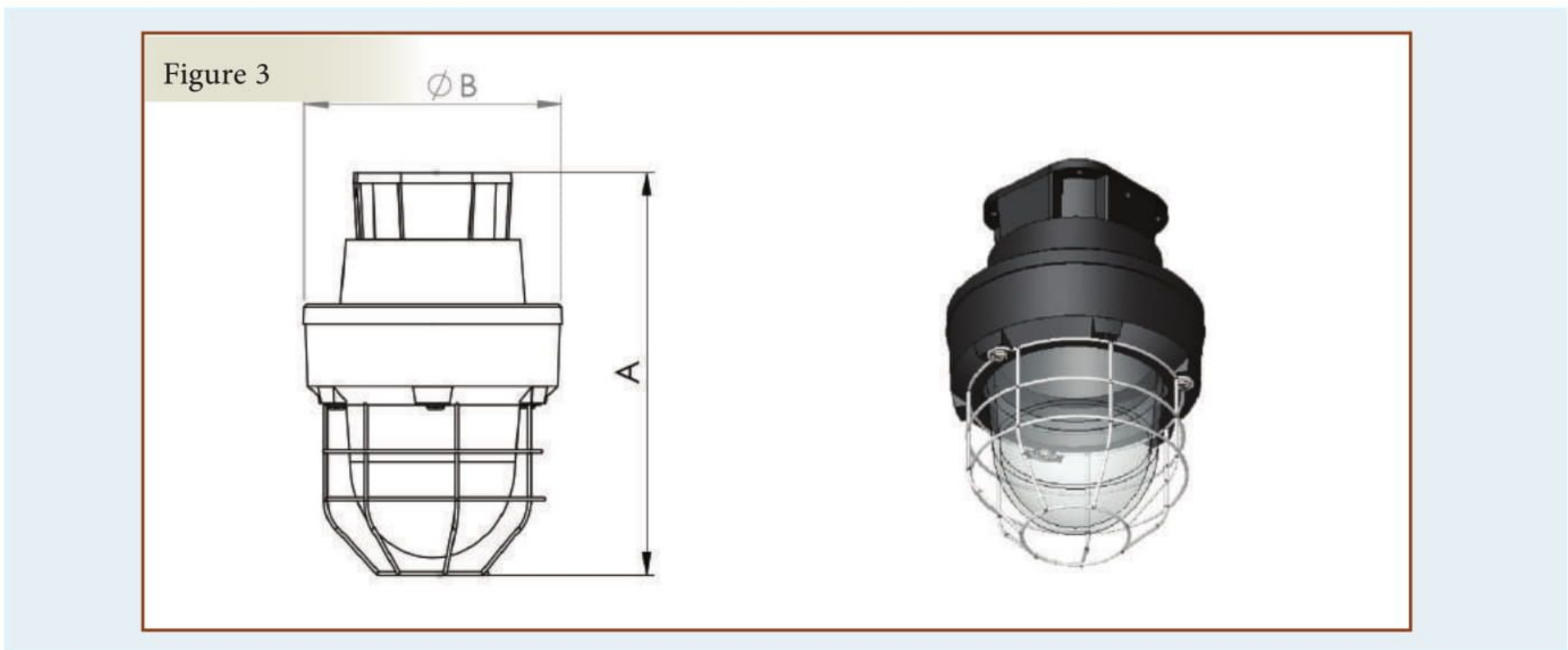
## Photometric diagrams



# TECHNICAL DATA

CODE	LAMP	TEMP. CLASS (GAS)	TEMP. CLASS (DUST)	LAMPHOLDER SIZE	CABLE ENTRY SIZE
<b>EV SERIES LIGHTING FIXTURES TECHNICAL DATA</b>					
EV.C.100	60W, 80W, 100W	T6	T 80 °C	E 27	1/2"- 3/4"
EV.C.200	160W, 200W,	T6	T 80 °C	E 27	1/2"- 3/4"
EV.C.250	250W	T6	T 80 °C	E 40	1/2"- 3/4"
EV.C.300	300W	T6	T 80 °C	E 40	1/2"- 3/4"

## Assembly



CODE/Kodu	A	B	WEIGHT/Ağırlık (K.G)	DETAIL/Detay
EV.C.100	230 mm	130 mm	3.15 KG	Figure 3
EV.C.200	330 mm	180 mm	4.88 KG	Figure 3
EV.C.250	330 mm	180 mm	4.88 KG	Figure 3
EV.C.300	650 mm	250 mm	8.82 KG	Figure 3