

EV LIGHTING FIXTURES

series/serisi

Aydınlatma Armatürleri

INSTALLATION / KULLANIM

Hazardous Areas, Zone: 1/2 (Gases) - 21/22 (Dusts)
Tehlikeli Sahalar, Bölge: 1/2 (Gazlar) - 21/22 (Toz)

CLASSIFICATION/ SINIFLANDIRMA

Group II - Category 2G/2D
Grup II - Kategori 2G/2D



EV.BW

Wall Mounted With Ballast

Balastlı Duvar Tipi



UYGULAMA

EV.BW serisi sodyum, metal halide ya da civa buharlı aydınlatma armatürleri Grup II tehlikeli açık ya da kapalı alanlarda kullanılmaktadır. EV.BW serisi armatürleride balast ayrı bir kutu içinde muhafaza edilir.

APPLICATION

EV.BW series sodium, metal halide or mercury vapor lighting fixtures are used in Group II hazardous areas at indoor or outdoor services. EV.BW series lighting fittings are use with ballast in separate enclosures.

EV Series Lighting Fixtures

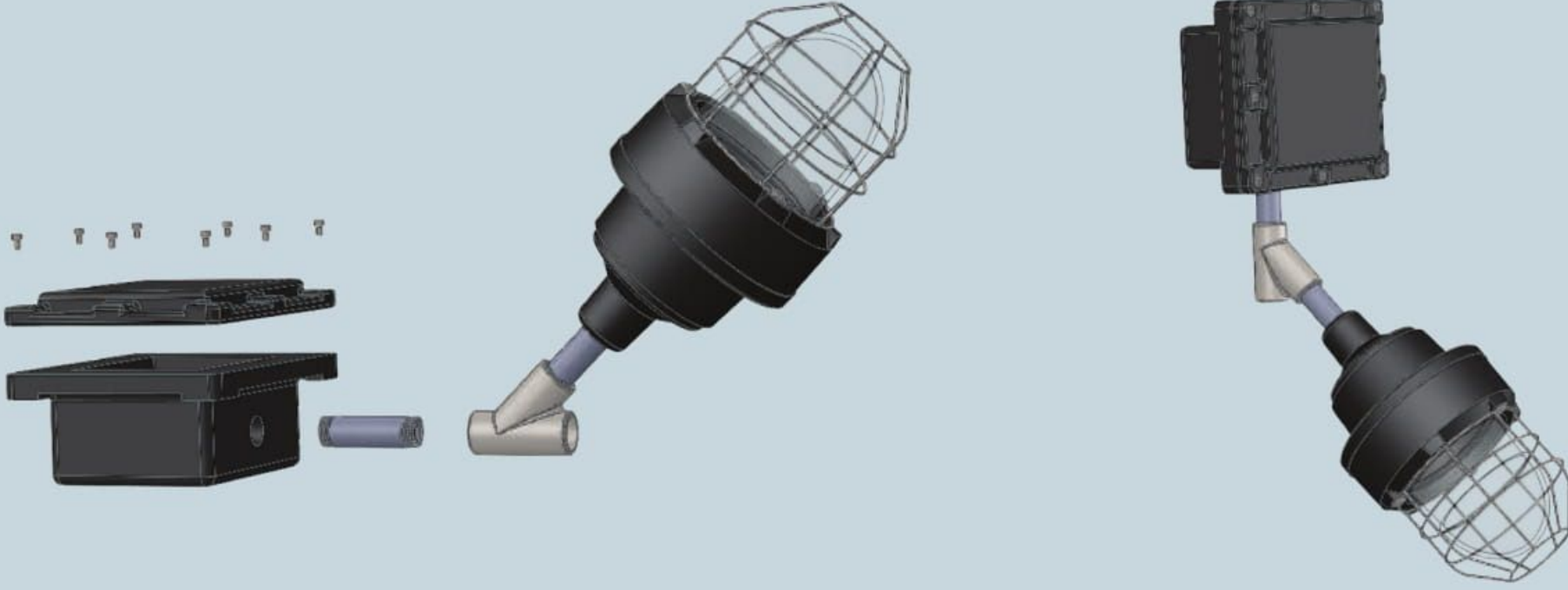
ATEX 94/9/EC

Execution/Sertifika Kodu	II 2 G Ex d IIB Gb II 2 D Ex t IIIC IP 67 Db
Installation/Kullanım Sahası	Zone 1/2 - Zone 21/22
Protection Degree/Koruma Sınıfı	IP 67
Certificate Ref./Sertifika No	MP 11 ATEX 0077.X
Rules of compl./ Uyum Kuralları	EN 60079-0:2012; EN 60079-1:2007; EN 60079-31:2009



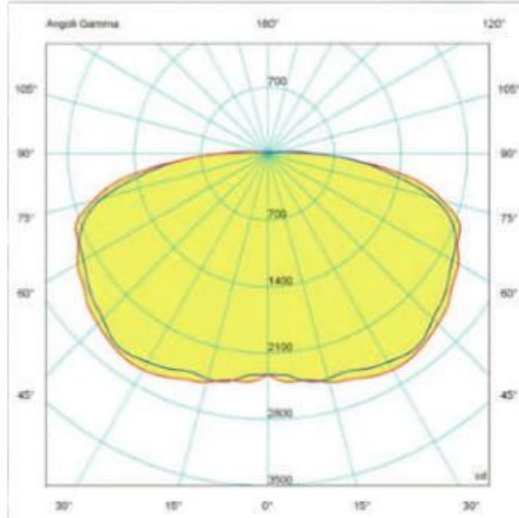
Assembly

Figure 1

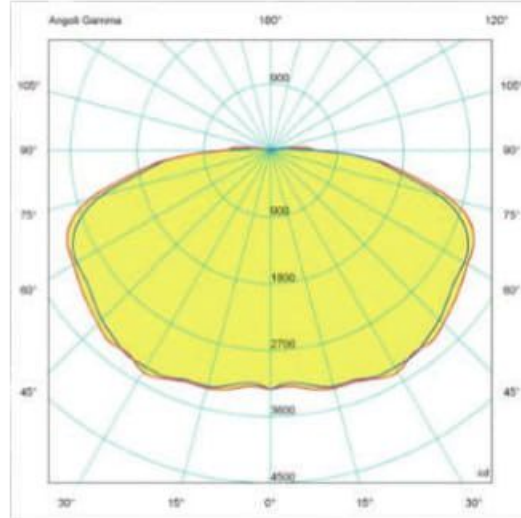


Mechanical Characteristics		Electrical Characteristics	
Gaskets/Kafes	Nbr Rubber	Internal Wiring/Kablolar	High Temperature Resistant Silicon Cable
Cable Entry/Kablo Girişi	4x1/2" - 4x3/4" Threaded	Screws/Civata	External Stainless Steel

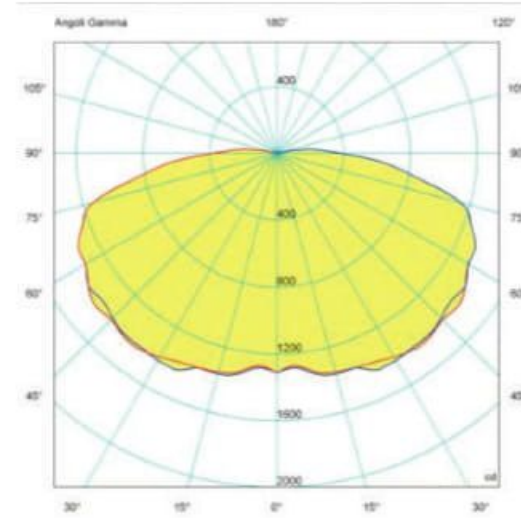
Photometric diagrams



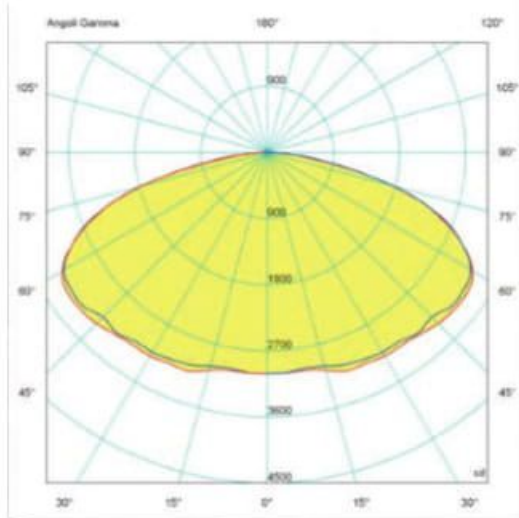
EV.BX.250w halide



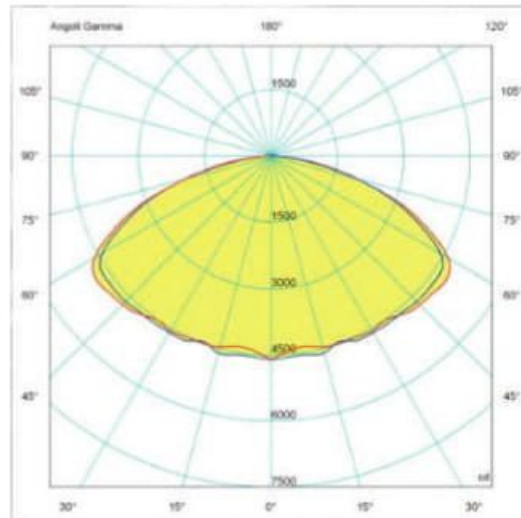
EV.BX.250w sodium



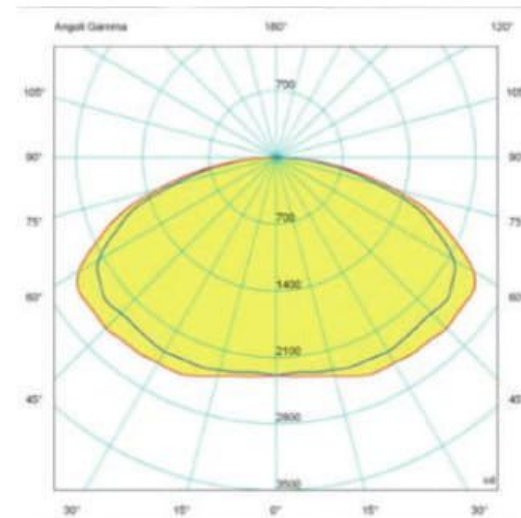
EV.BX.250w mercury



EV.BX.400w halide



EV.BX.400w sodium

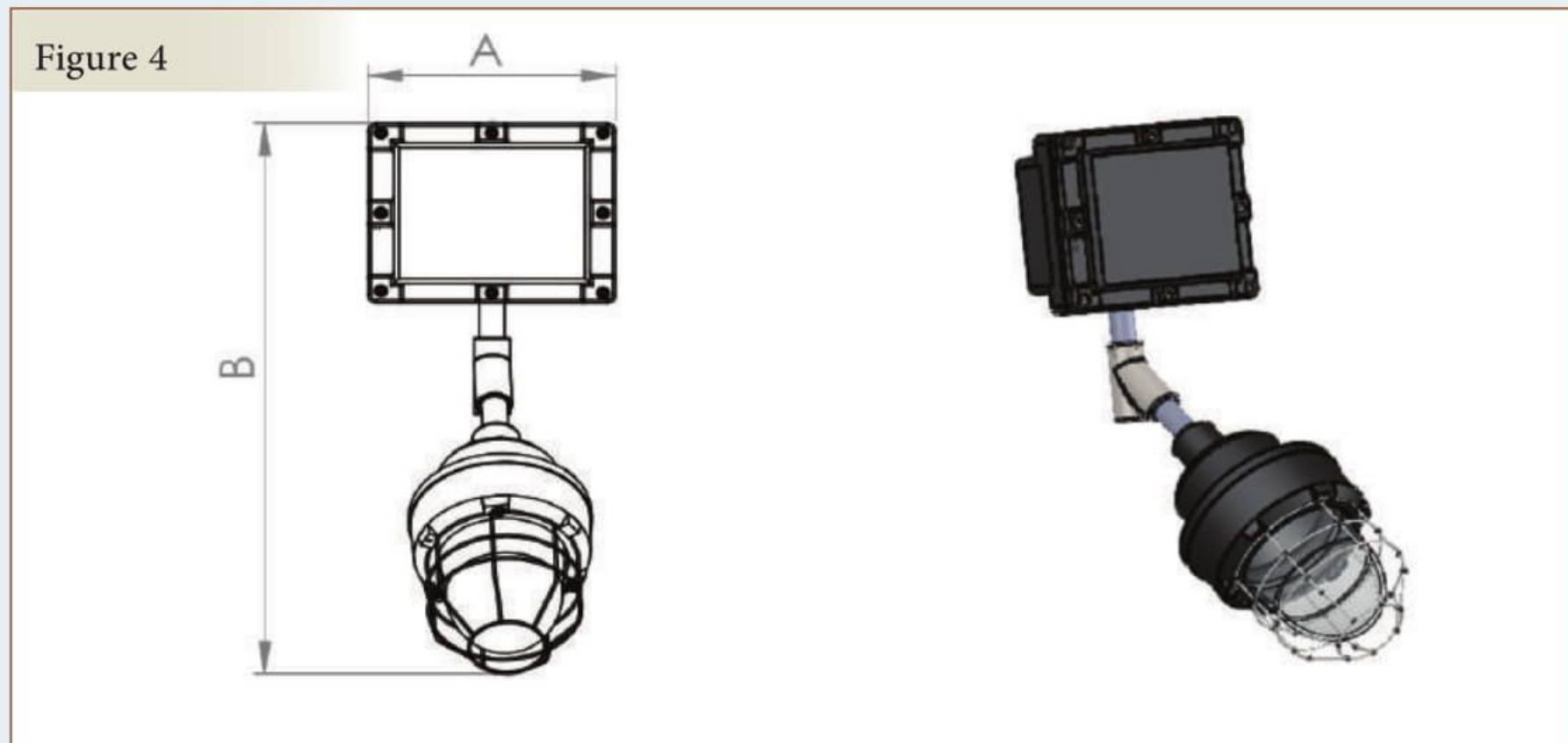


EV.BX.400w mercury

TECHNICAL DATA

CODE	LAMP	TEMP. CLASS (GAS)	TEMP. CLASS (DUST)	LAMPPHOLDER SIZE	CABLE ENTRY SIZE
EV SERIES LIGHTING FIXTURES TECHNICAL DATA					
EV.W.250	250W	T6	T 80 °C	E 40	1/2"- 3/4"
EV.W.400	400W	T6	T 80 °C	E 40	1/2"- 3/4"

Assembly



CODE/Kodu	A	B	C	D	WEIGHT/Ağırlık (K.G)	DETAIL/DETAY
EV.BW.250	350 mm	180 mm	530 mm	230 mm	12.50 KG	Figure 3
EV.BW.400	480 mm	250 mm	660 mm	230 mm	16.80 KG	Figure 3